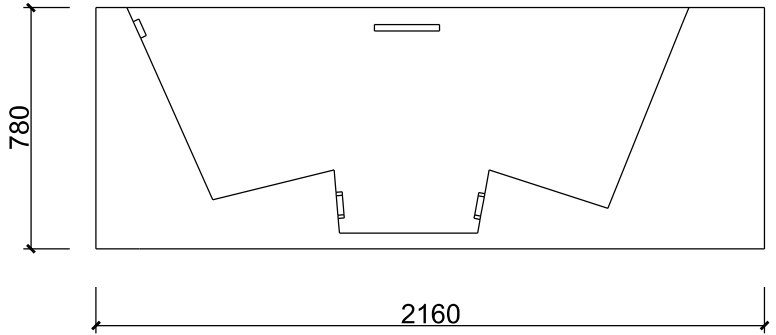
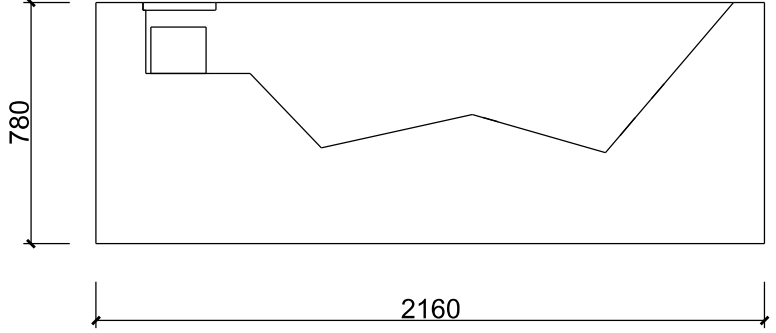


B-B



C-C



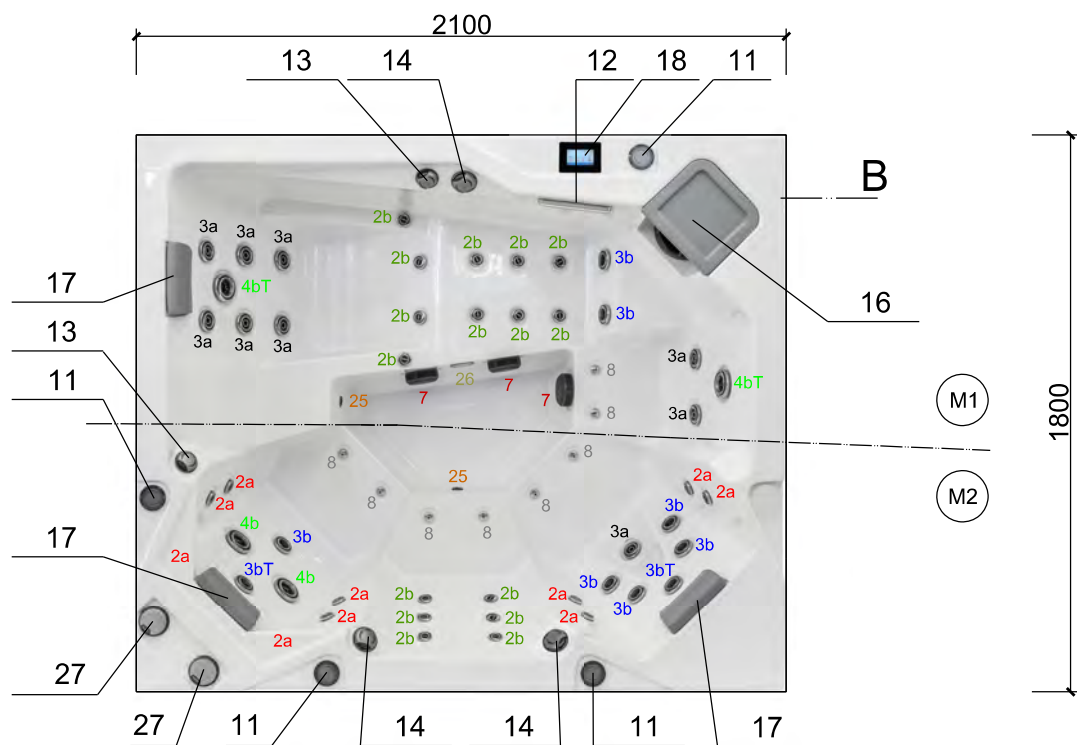
Hight: 780mm

Pump	connected	SUM
M1:	36 + ozonator + waterfall	38
M3:	FILTRATION	

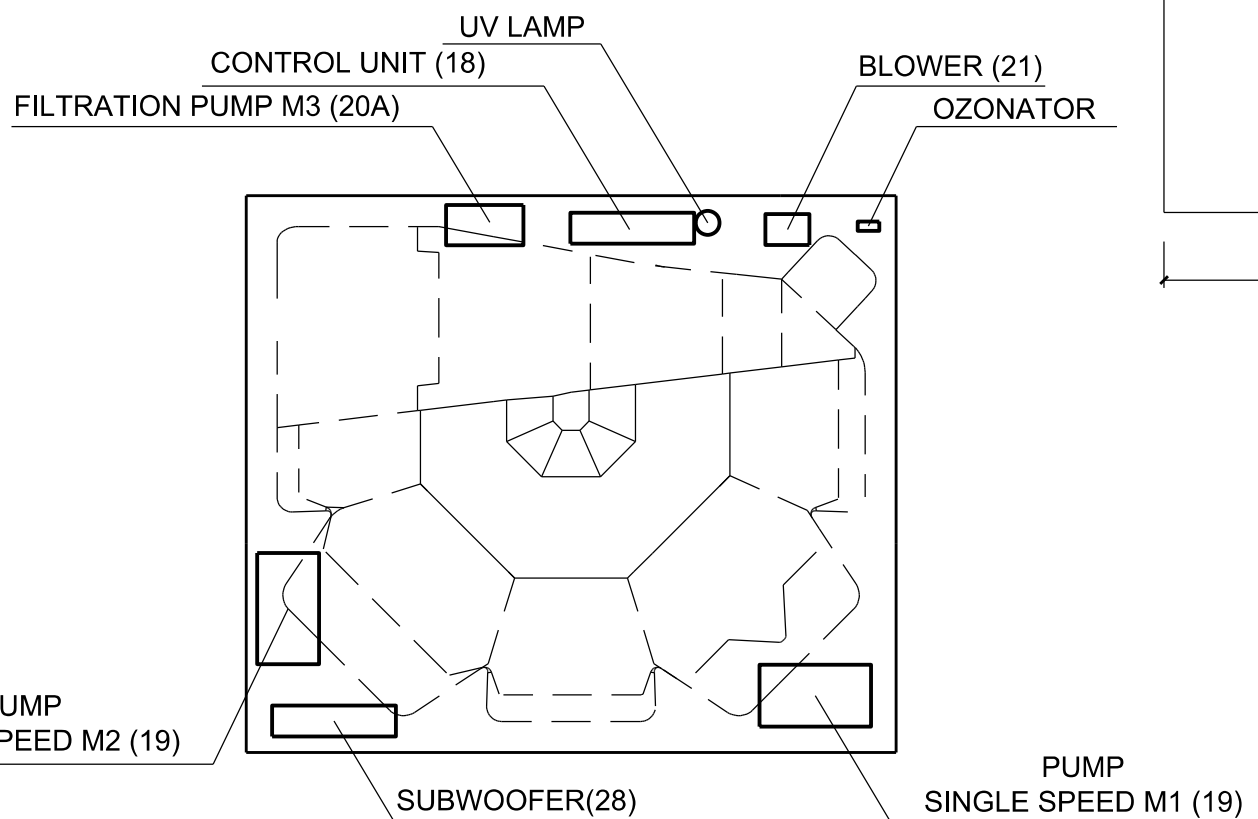
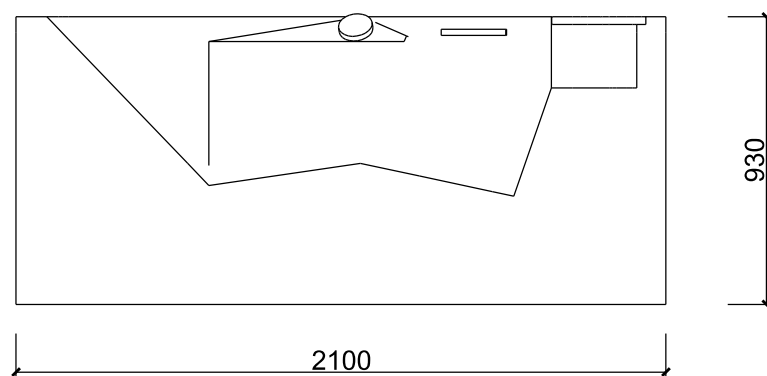
Water Jets	36
Air Jets	12
Lounge seats	1
Sitting seats	2

HANSCRAFT[®]
european spa producer

2160x1600	rev.08	NOV. 2021
OKA2 NEPHRITE	AUTHOR: ING. JAN. F. VORISEK	DWG No: 1



B-B



Height: 930mm

Pump	connected	SUM
M1:	22 + ozonator + waterfall	24
M2:	26	26
M3:	FILTRATION	

Water Jets	48
Air Jets	8
Lounge seats	1
Sitting seats	4

HANSCRAFT[®]
european spa producer

2100x1800

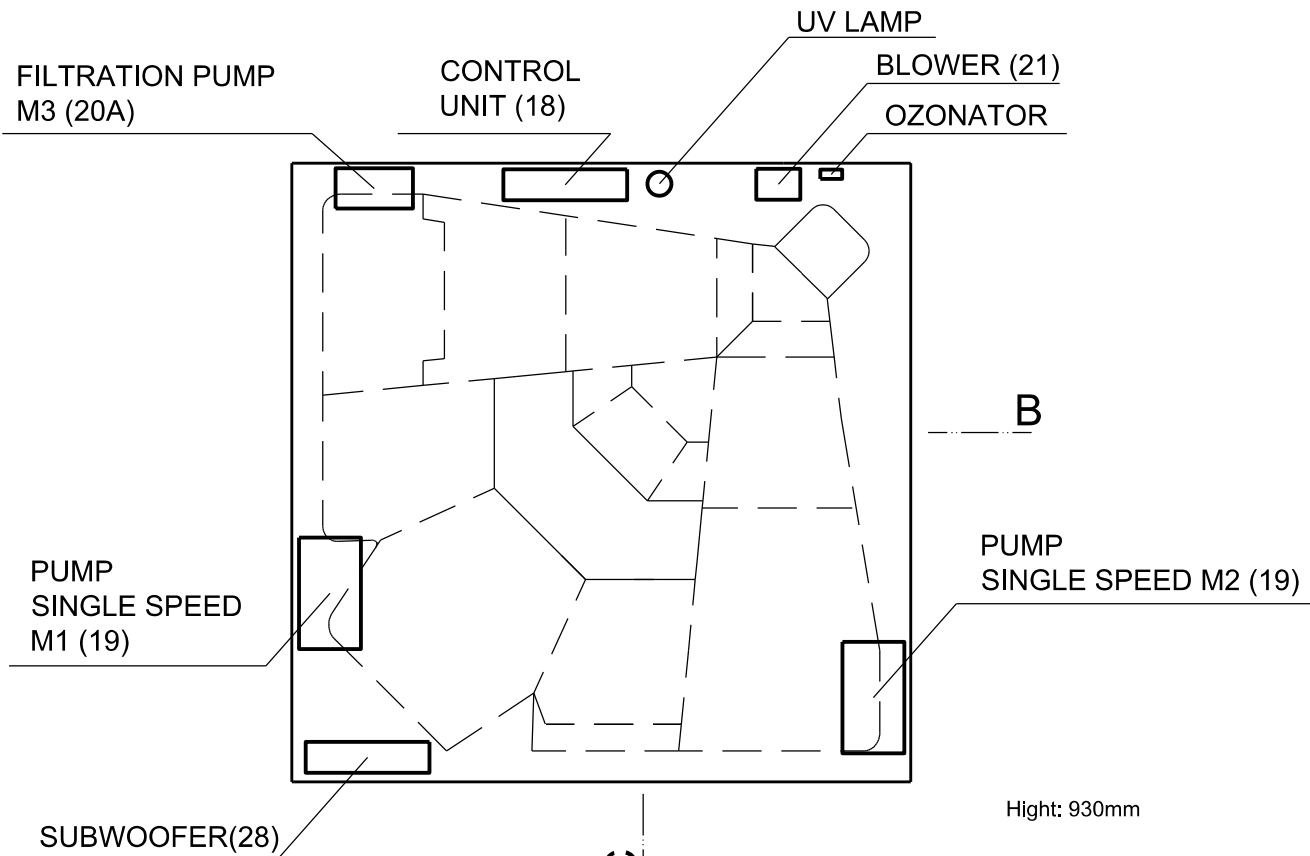
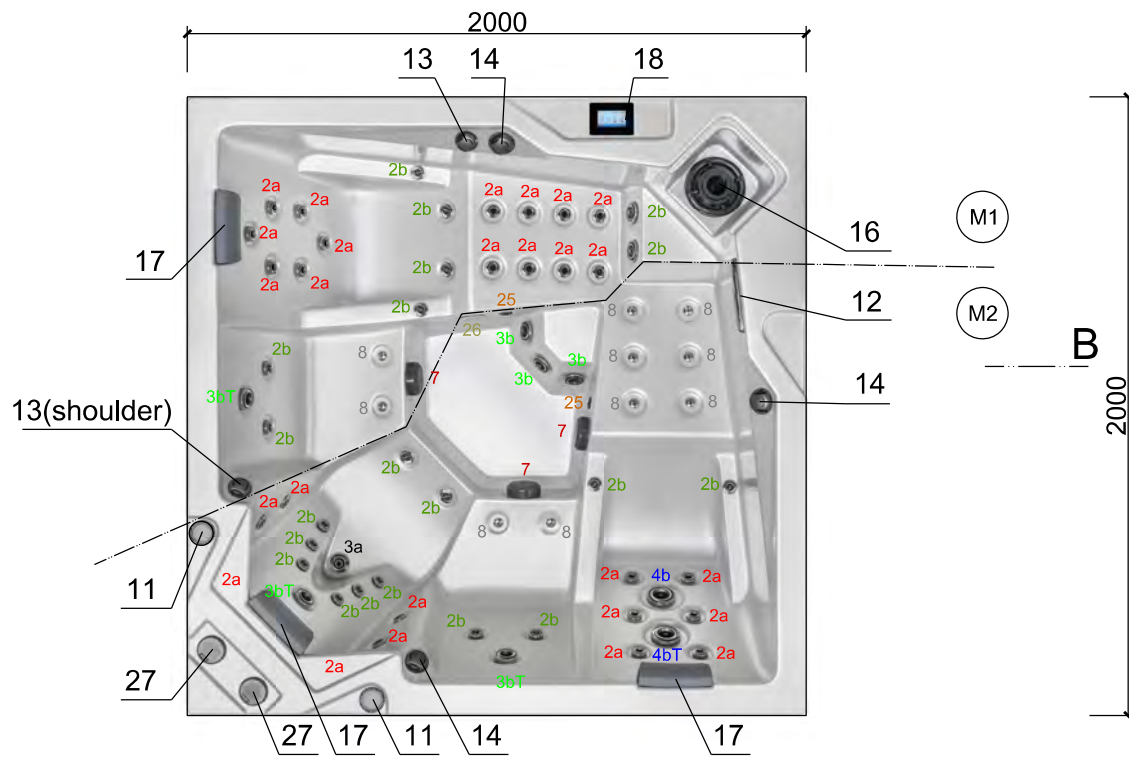
rev.08

NOV.
2021

OKA3 SAPPHIRE

AUTHOR:
ING. JAN. F. VORISEK

DWG No: **1**

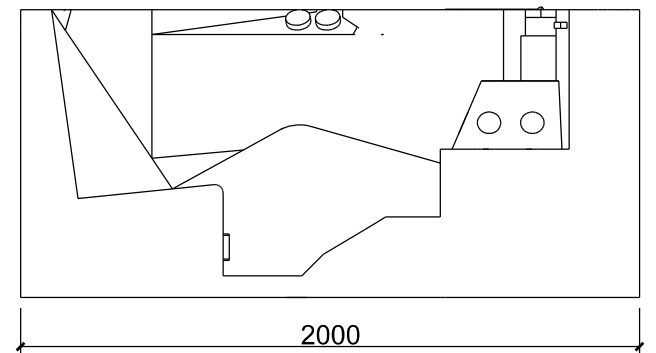


Hight: 930mm

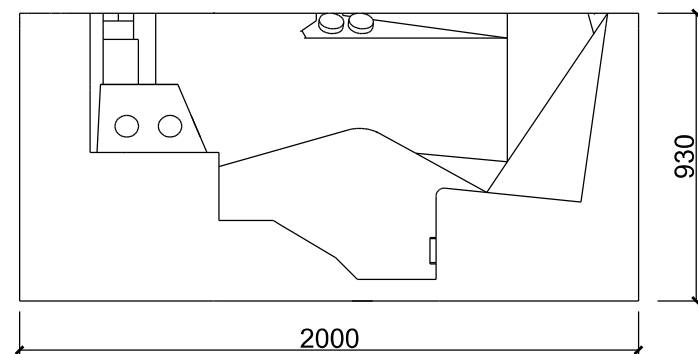
Pump	connected	SUM
M1:	23 + ozonator + waterfall	25
M2:	32	32
M3:	FILTRATION	

Water Jets	55
Air Jets	10
Lounge seats	2
Sitting seats	3

B-B

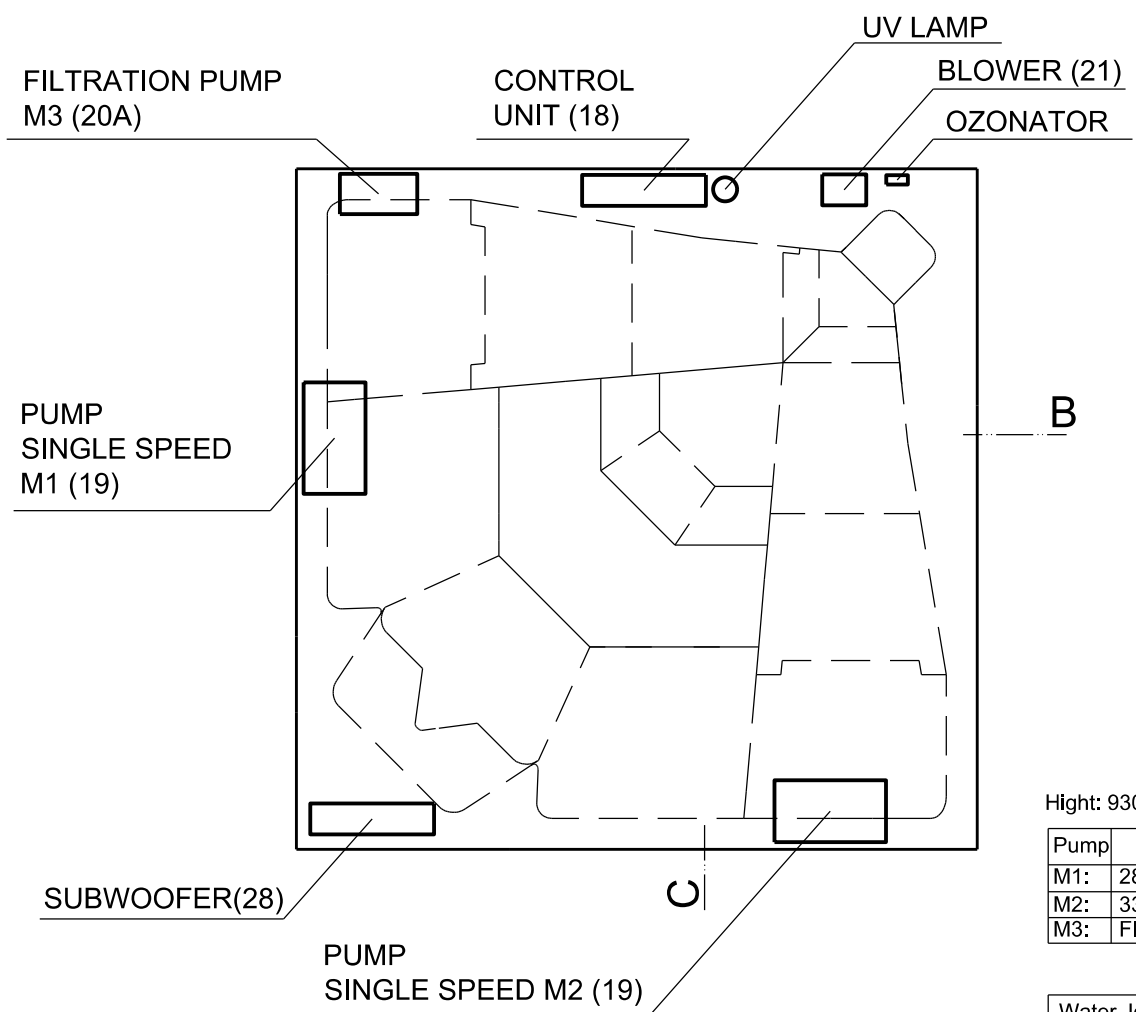
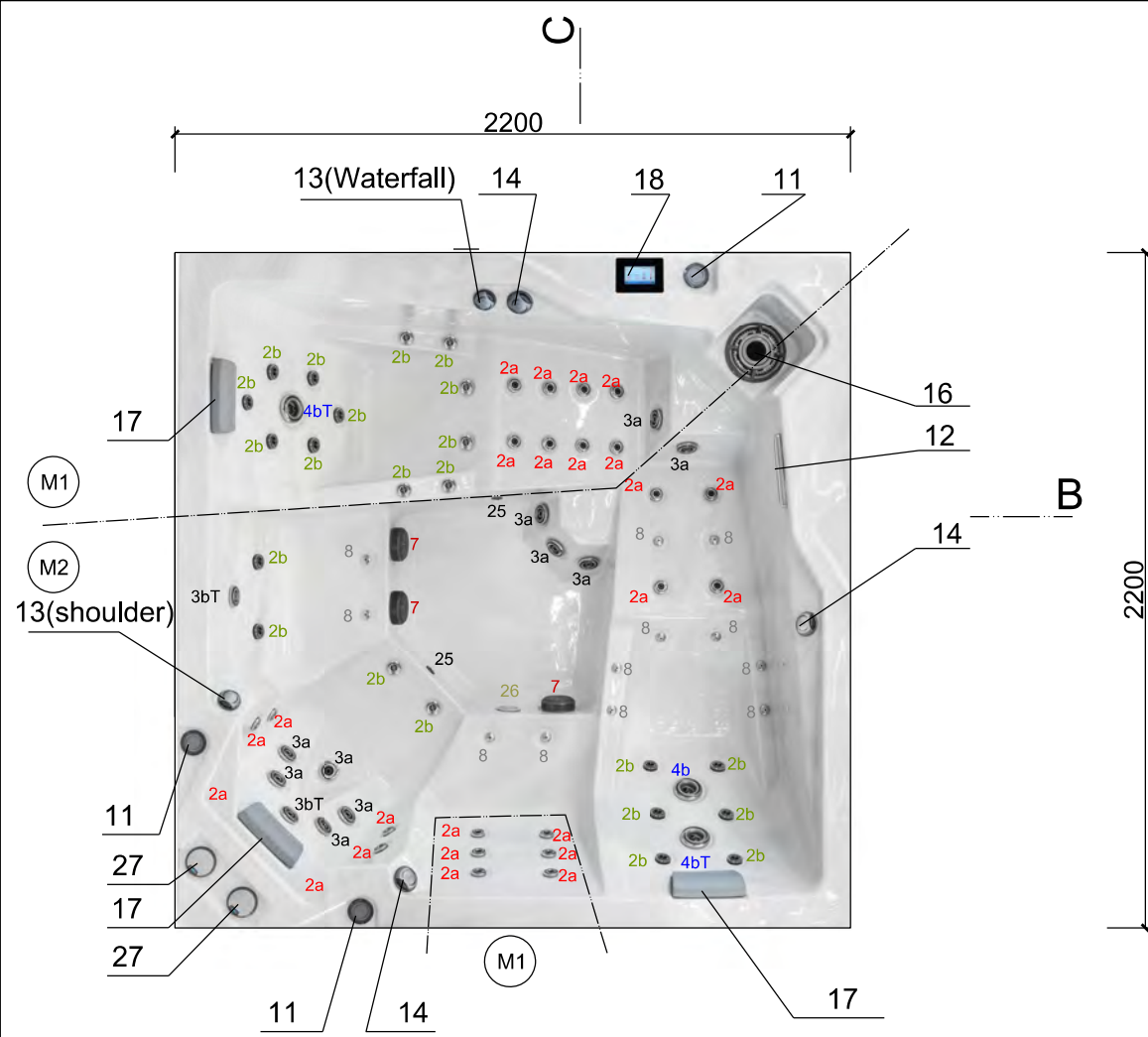


C-C

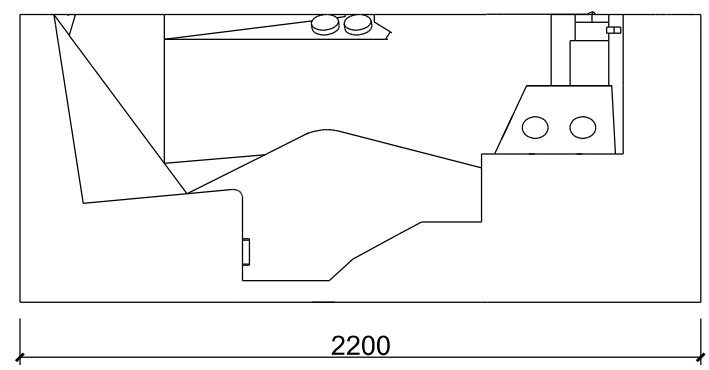


HANSCRAFT[®]
european spa producer

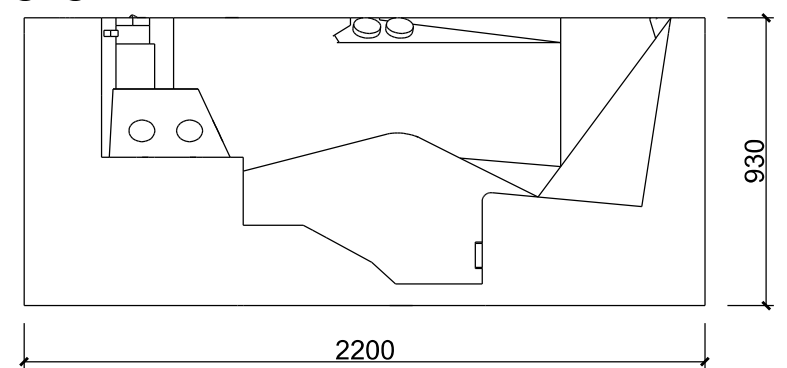
2000x2000	rev.08	NOV. 2021
OKA4 ONYX	AUTHOR: ING. JAN. F. VORISEK	DWG No: 1



B-B



C-C



Hight: 930mm

Pump	connected	SUM
M1:	28 + ozonator + waterfall	30
M2:	33	33
M3:	FILTRATION	

Water Jets	61
Air Jets	12
Lounge seats	2
Sitting seats	3

HANSCRAFT
european spa producer

2200x2200	rev.08	NOV. 2021
OKA5 ALMANDINE	AUTHOR: ING. JAN. F. VORISEK	DWG No: 1